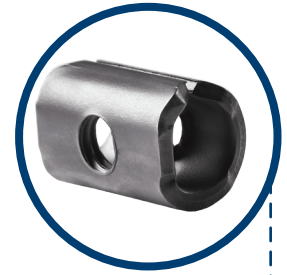
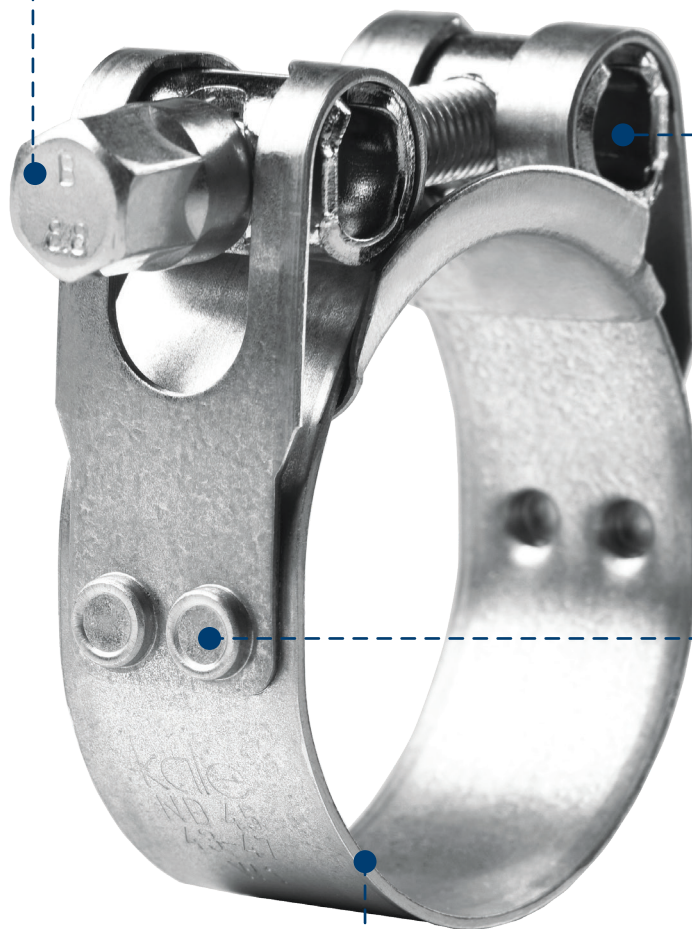




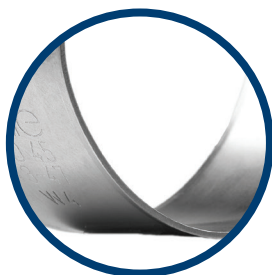
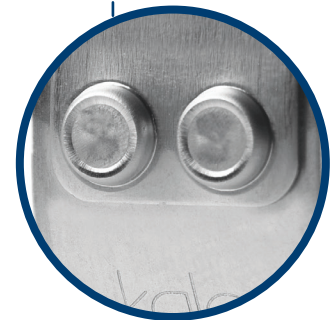
New specially designed bolt with integrated spacer and improved performance, no more loose bolts



Hollowed Trunnions reduces the tensile forces on the bolt and the clinched joint



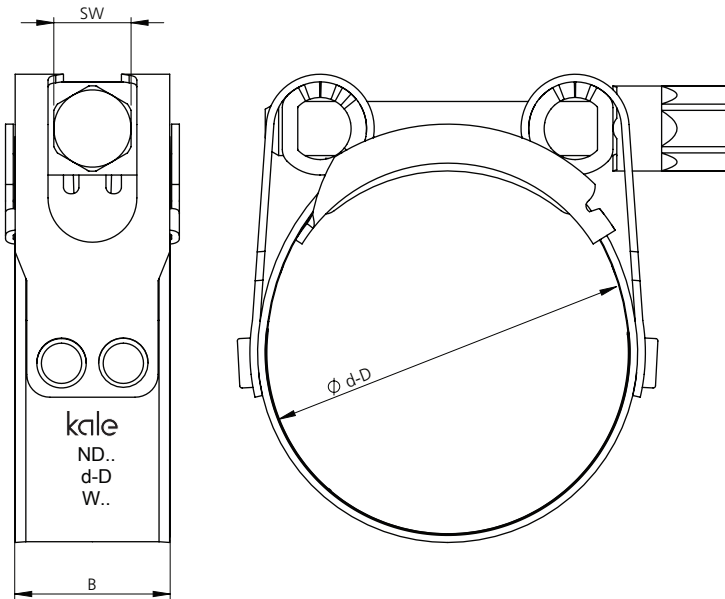
Clinched Joint Design
No welding spots and
No contact corrosion



Robust band with rounded edges



HD - Technical Properties



Ød-D (mm) (min - max)	ND (mm)	B (mm)	SW (mm)	AD (Nm)
17-19	18	18	8	8
19-21	20	18	8	8
21-23	22	18	8	8
23-25	24	18	8	8
25-27	26	18	8	8
27-29	28	18	8	8
29-31	30	18	8	8
31-34	33	20	10	10
34-37	36	20	10	10
37-40	39	20	10	10
40-43	42	20	10	10
43-47	45	20	10	10
47-51	49	20	10	10
51-55	53	20	10	10
55-59	57	20	10	10
59-63	61	20	10	10
63-68	66	20	10	10
68-73	71	25	13	20
73-79	76	25	13	20
79-85	82	25	13	20
85-91	88	25	13	20
91-97	94	25	13	20
97-104	101	25	13	20
104-112	108	25	13	20
112-121	117	25	13	20
121-130	126	25	13	20
130-140	135	25	13	20
140-150	145	25	13	20
150-162	156	25	13	20
162-174	168	25	13	20
174-187	181	25	13	20
187-200	194	25	13	20
200-213	207	25	13	20
213-226	220	25	13	20
226-239	233	25	13	20
239-252	246	25	13	20

	W1	W2	W4	W5
Band	Carbon Steel*	Stainless Steel 1.4016	Stainless Steel 1.4301	Stainless Steel 1.4401
Bridge	Carbon Steel*	Stainless Steel 1.4016	Stainless Steel 1.4301	Stainless Steel 1.4401
Bolt	ISO 898-1 class 8.8*	ISO 898-1 class 8.8*	ISO 3506-1 (A2-70)	ISO 3506-1 (A4-70)
Bush	-	-	Stainless Steel 1.4301	Stainless Steel 1.4401
Trunnion	Carbon Steel*	Carbon Steel*	Stainless Steel 1.4301	Stainless Steel 1.4401
Corrosion Resistance (min. Hours) ISO 9227	72	72	240	400
Bolt Head				

* Zinc Coated

AD: Recommended tightening torque