

W5 (ALL 316) HEAVY DUTY HOSE CLAMPS

Designed and engineered for optimal strength and performance in the harshest conditions, the Global Clamps W5 (316) ALL STAINLESS range represents the best of the best for strength and durability



GLOBAL W5 (316) HEAVY DUTY HOSE CLAMPS

For unequalled performance in critical applications, look no further than Global Clamps W5 (316) Heavy Duty Hose Clamp range.

Trusted for their exceptional quality, these premium clamps are unmatched for their strength, dependability and extended service life. When reliability matters most, Global Clamps W5 Heavy Duty worm drive hose clamps deliver the results you can always count on.

Features include:

- ALL W5 (316) Stainless Steel construction
- 1-piece tubular housing (no welding or interlocking) for maximum strength



- Acme thread type ensures high screw engagement
- Solid band with smooth ID protects the hose from thread chaffing or extrusion
- High clamping force with low tightening torque
- Rolled burr free band edges protects the hose from cutting and abrasion



- Band stamped with size range, material designation (W5) and Global logo for easy identification
- Standard 7mm hex on both band widths
- Salt spray resistance > 400 hours according to ISO 9227

Produced in two band widths; 10/12 mm, with sizes ranging from 8-14 mm through to 104-138 mm.

Suits a wide range of applications and industries:

- Marine
- Aquaculture
- Agriculture
- Industrial mining
- Plumbing
- OEMs.

Worm Drive Band End Protectors (Push On) are available for Global Clamps 10 mm and 12 mm band width clamps.

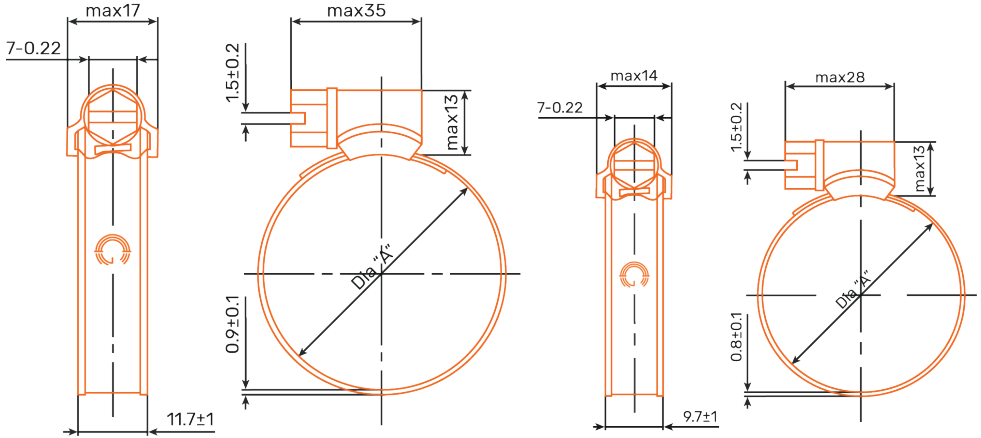




W5 (316) Heavy Duty Hose Clamps

Product Description	Band Width / Hex	Diameter Range	Tightening Torque
WD10 8-14 W5	9.7	8-14 mm	3.0 Nm
WD10 11-17 W5	9.7	11-17 mm	3.0 Nm
WD10 13-20 W5	9.7	13-20 mm	3.0 Nm
WD10 15-24 W5	9.7	15-24 mm	3.0 Nm
WD10 19-28 W5	9.7	19-28 mm	3.0 Nm
WD12 15-24 W5	11.7	15-24 mm	4.8 Nm
WD12 19-28 W5	11.7	19-28 mm	4.8 Nm
WD12 22-32 W5	11.7	22-32 mm	4.8 Nm
WD12 26-38 W5	11.7	26-38 mm	4.8 Nm
WD12 32-44 W5	11.7	32-44 mm	5.2 Nm
WD12 38-50 W5	11.7	38-50 mm	5.2 Nm
WD12 44-56 W5	11.7	44-56 mm	5.2 Nm
WD12 46-63 W5	11.7	46-63 mm	5.2 Nm
WD12 50-65 W5	11.7	50-65 mm	5.2 Nm
WD12 58-75 W5	11.7	58-75 mm	5.2 Nm
WD12 68-85 W5	11.7	68-85 mm	5.2 Nm
WD12 77-95 W5	11.7	77-95 mm	5.2 Nm
WD12 95-101 W5	11.7	95-101 mm	5.2 Nm
WD12 87-112 W5	11.7	87-112 mm	5.2 Nm
WD12 104-138 W5	11.7	104-138 mm	5.2 Nm

Available in 10 packs and bulk



WWW.GLOBALCLAMPS.COM.AU

Phone: +61 3 9888 0175

Email: info@globalclamps.com.au

Disclaimer: The information contained in this brochure is for general information purposes only, and is provided by Global Clamps Pty Ltd. Whilst we try at all times to keep the information up to date and correct, we cannot and do not in any way guarantee or give any assurances as to the completeness or accuracy of the information provided.

Edition: 26022601